


- NOTES:**
1. LEVEL ARE IN METERS.
  2. SLOPES ARE AS SHOWN IN THE SECTIONS
  3. DEPTH OF FOUNDATION(S) TO BE FINALIZED AFTER GEOTECHNICAL INVESTIGATION.

Rev	Revision	Approved	Date

Client:



CONSULTANT:

Project: **ITHAMBA NZOU WATER PAN**

Title: **PLAN VIEW**

Drawn:	Eng. Martin	Date:	09/02/2026
Designed:	Eng. Martin	Date:	09/02/2026
Checked:	Eng. Ouma	Date:	09/02/2026
Approved:		Date:	

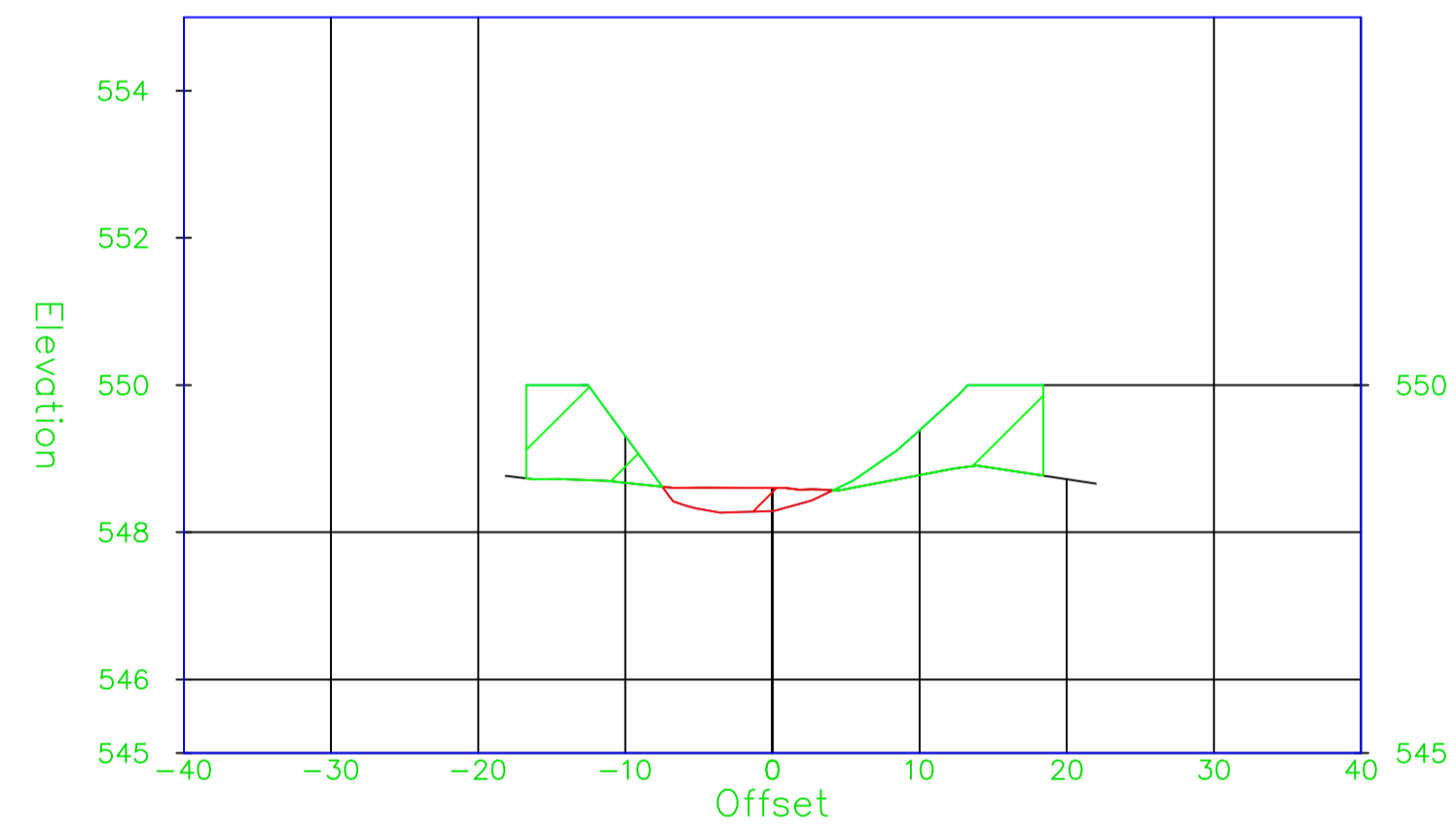
Drawing No.	TAWWDA/IT/01/2026-02	Revision.	A
Drawing Scale:		Sheet Size.	A1
Drawing Status:	TENDER DRAWINGS		

Lead File No.: D:\1\ANATHI\WU\A11\Projects\Mulome-Kitui\_South\_Earth\_dams\Ithamba\_Nzou\Ithamba\_Nzou\Ithamba\_Nzou\Ithamba\_Nzou.dwg

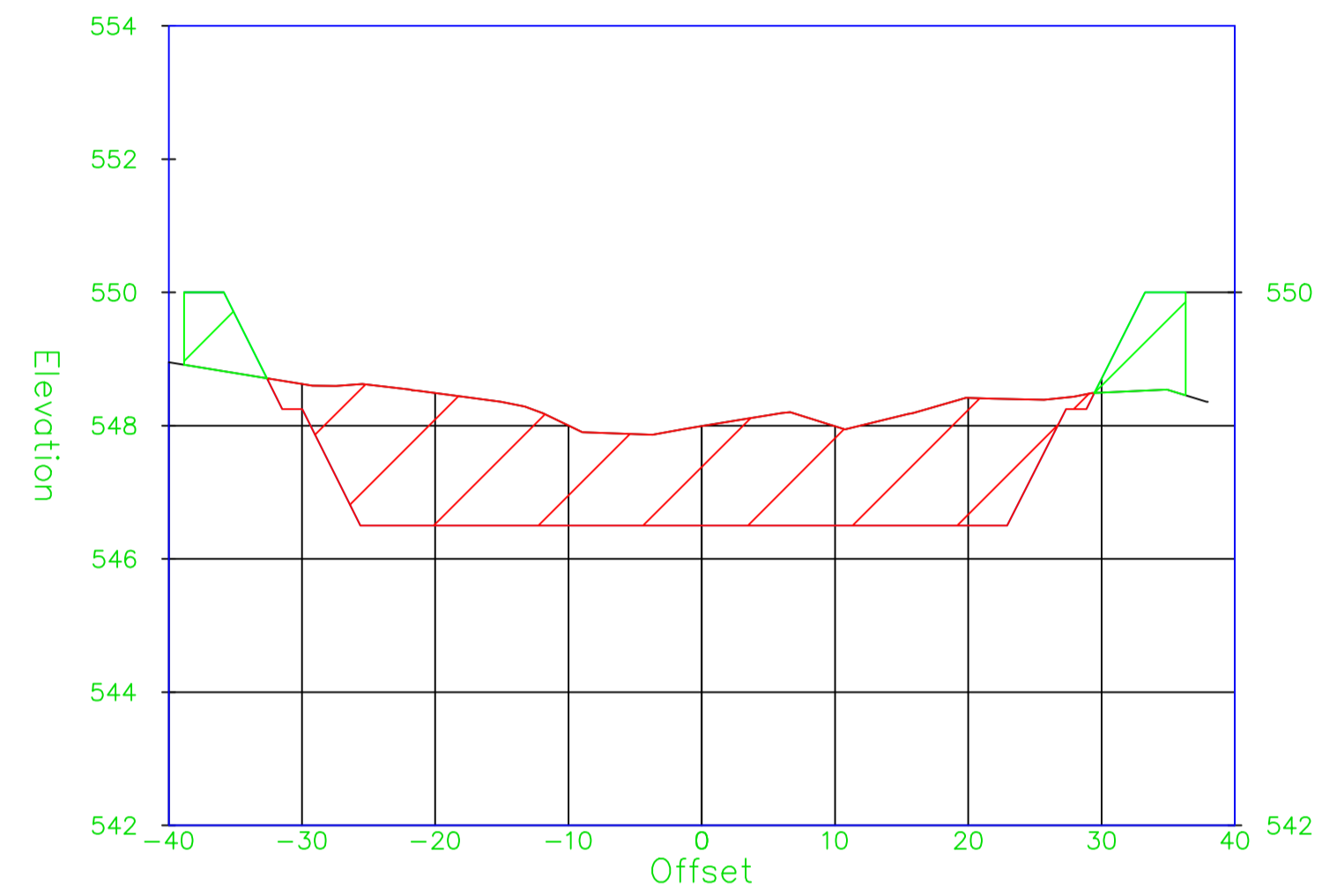
**NOTES:**

1. LEVEL ARE IN METERS.
  2. SLOPES ARE AS SHOWN IN THE SECTIONS
  3. DEPTH OF FOUNDATION(S) TO BE FINALIZED AFTER GEOTECHNICAL INVESTIGATION.
- NB: The sections have a vertical exaggeration of 5.

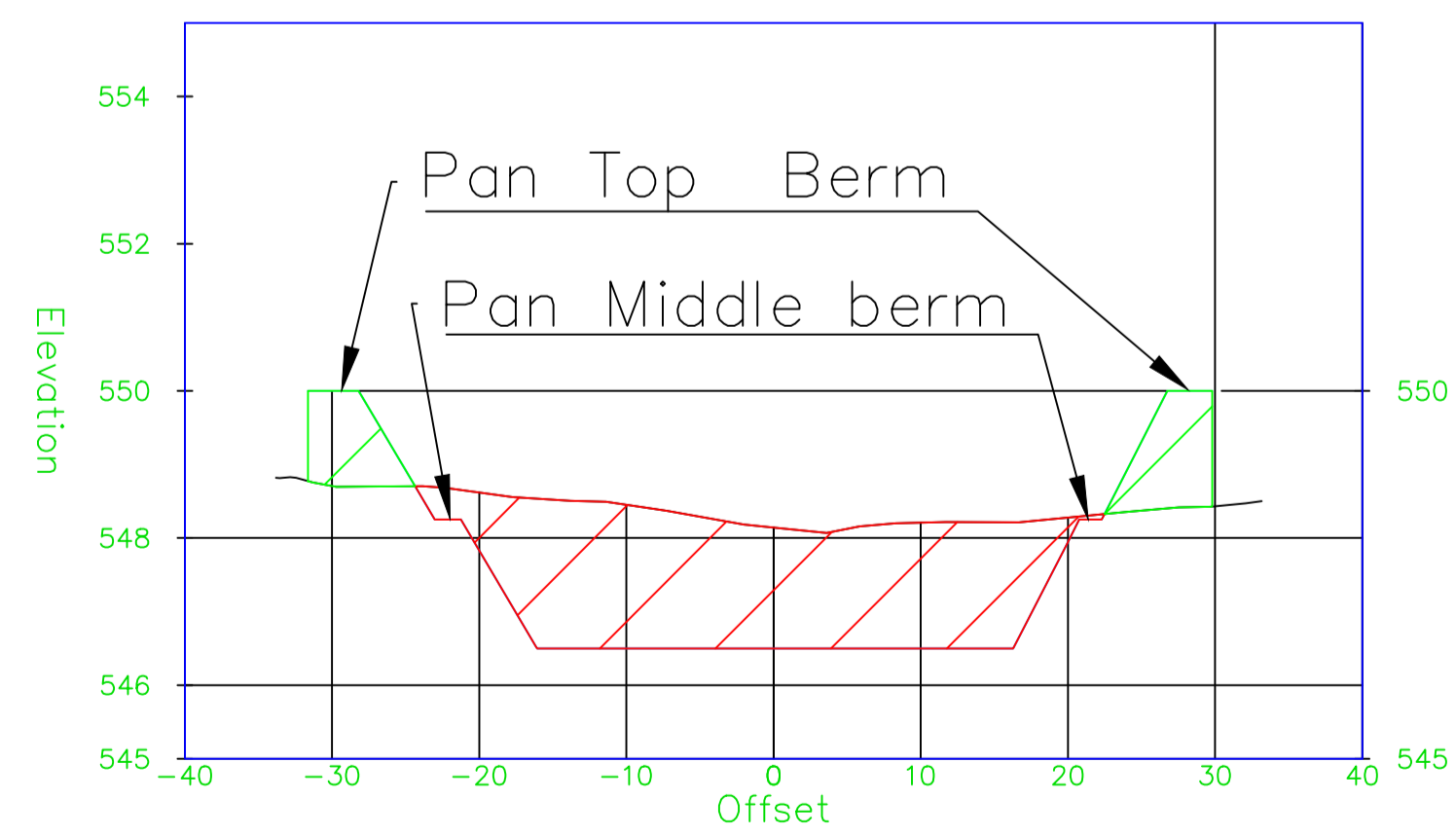
0+040.00



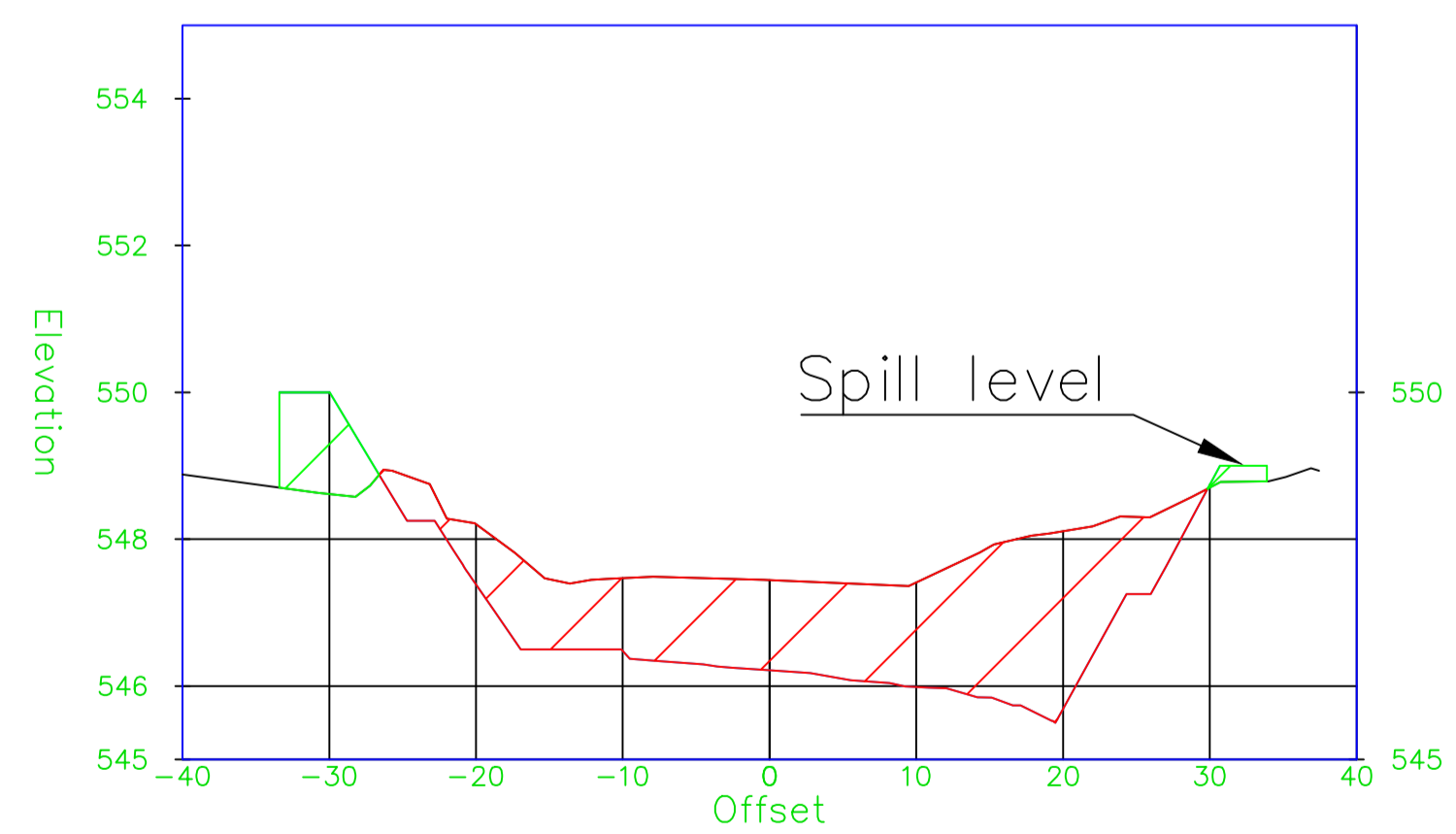
0+080.00



0+060.00



0+100.00



Rev	Revision	Approved	Date

Client:



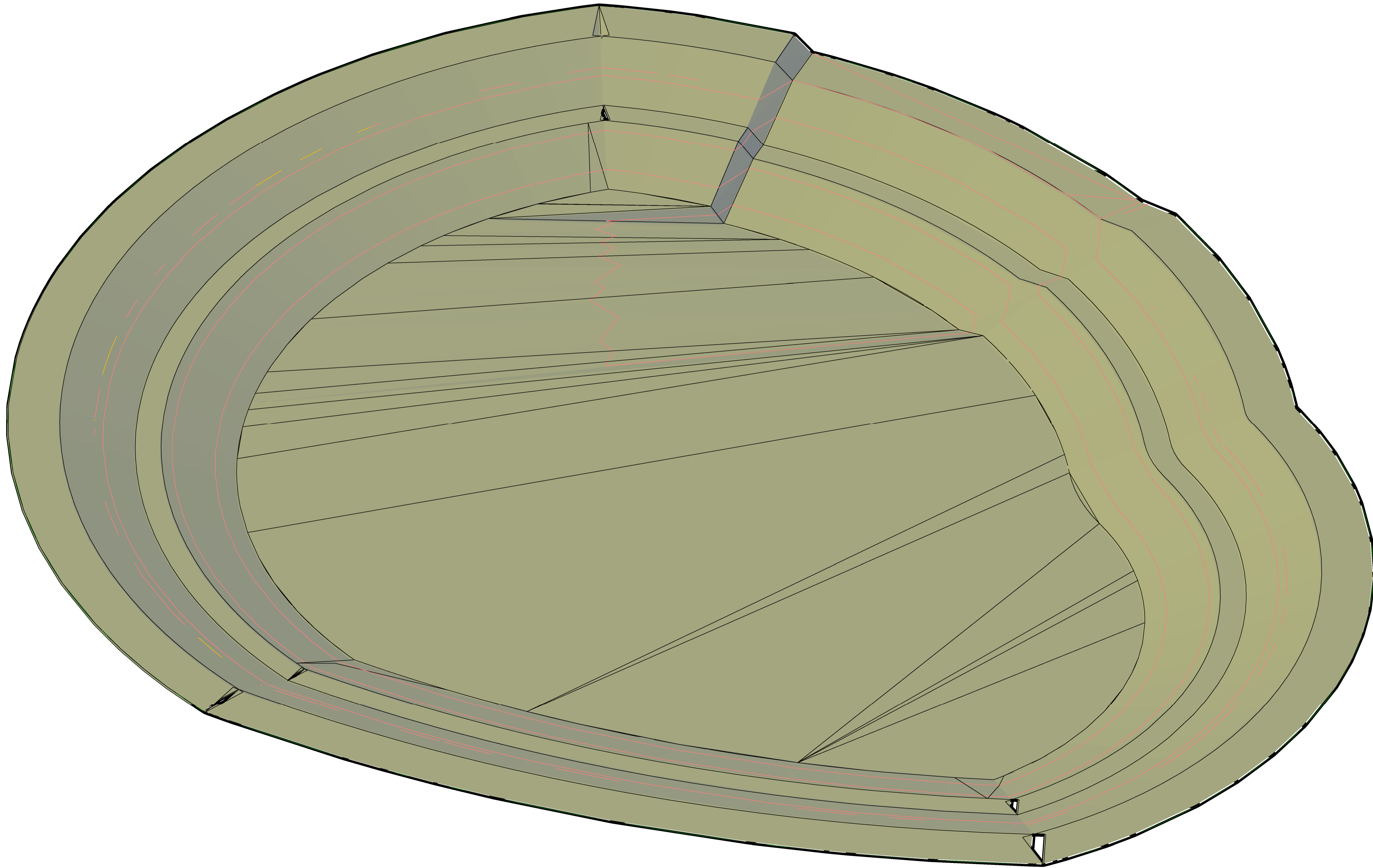
CONSULTANT:

Project: ITHAMBA NZOU WATER PAN

Title: SECTIONS VIEW

Drawn: Eng. Martin	Date: 09/02/2026
Designed: Eng. Martin	Date: 09/02/2026
Checked: Eng. Ouma	Date: 09/02/2026
Approved:	Date:

Drawing No. TAWWDA/IT/01/2026-03	Revision: A
Drawing Scale:	Sheet Size: A1
Drawing Status: TENDER DRAWINGS	



Rev	Revision	Approved	Date

Client:



CONSULTANT:

Project: ITHAMBA NZOU WATER PAN

Title: 3D MODEL

Drawn:	Eng. Martin	Date:	09/02/2026
Designed:	Eng. Martin	Date:	09/02/2026
Checked:	Eng. Ouma	Date:	09/02/2026
Approved:		Date:	

Drawing No:	TAWWDA/IT/01/2026-01	Revision:	A
-------------	----------------------	-----------	---

Drawing Scale:		Sheet Size:	A1
----------------	--	-------------	----

Drawing Status: TENDER DRAWINGS

Caf File No: D:\TAMATHI\WDA\1 Projects\Mulomo-Kifui South Earth\Ithamba Nzou\Ithamba Nzou\Ithamba Drawing rev 2.dwg